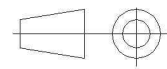
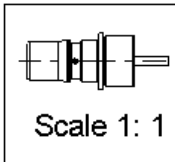
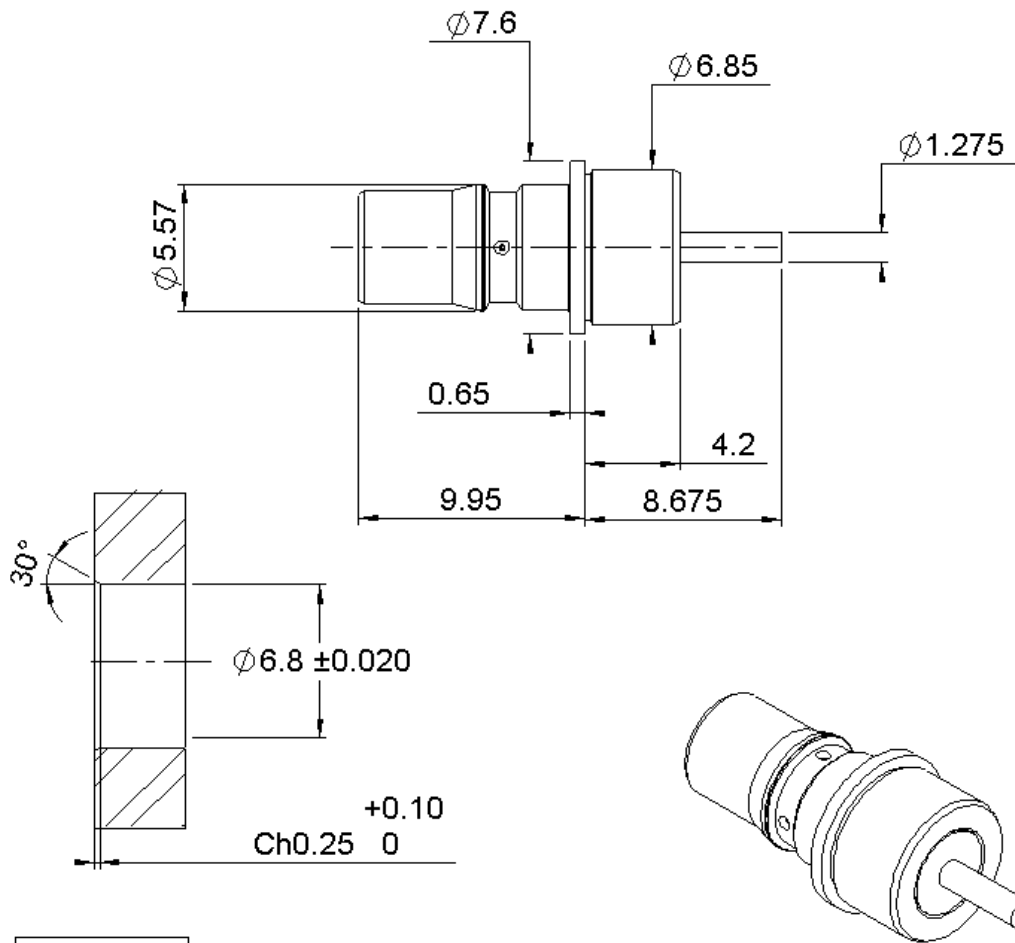


STRAIGHT FEMALE PRESS MOUNT RECEPTACLE
FRONT MOUNT-STRAIGHT TERMINAL

R123.590.027

Series : QMA



All dimensions are in mm.

COMPONENTS	MATERIALS	PLATING (µm)
BODY	BRASS	NPGR
CENTER CONTACT	BERYLLIUM COPPER	NPGR
OUTER CONTACT	-	-
INSULATOR	PTFE	-
GASKET	-	-
OTHERS PARTS	-	-
-	-	-
-	-	-

Issue : 0923 D

In the effort to improve our products, we reserve the right to make changes judged to be necessary.



STRAIGHT FEMALE PRESS MOUNT RECEPTACLE

R123.590.027

FRONT MOUNT-STRAIGHT TERMINAL

Series : QMA

PACKAGING

SPECIFICATION

Standard	Unit	Other
100	'W' option	Contact us

ELECTRICAL CHARACTERISTICS

ENVIRONMENTAL

Impedance	50	Ω
Frequency	0-6	GHz
VSWR	1.04 + 0,0060	x F(GHz) Maxi
Insertion loss	0.05	\sqrt{F} (GHz) dB Maxi
RF leakage	- (80)	- F(GHz)) dB Maxi
Voltage rating	500	Veff Maxi
Dielectric withstanding voltage	1000	Veff mini
Insulation resistance	5000	M Ω mini

Operating temperature	-40/+105	$^{\circ}$ C
Hermetic seal	NA	Atm.cm3/s
Panel leakage	NA	

OTHER CHARACTERISTICS

Assembly instruction **NA**

Others :
Coaxial Transmission Line Only
RF Leakage interf only : $3 < F < 6 \text{Ghz} > 70 \text{dB}$

MECHANICAL CHARACTERISTICS

Center contact retention		
Axial force – Mating end	27	N mini
Axial force – Opposite end	27	N mini
Torque	2.8	N.cm mini
Recommended torque		
Mating	NA	N.cm
Panel nut	NA	N.cm
Mating life	100	Cycles mini
Weight	2,1250	g

Issue : 0923 D

In the effort to improve our products, we reserve the right to make changes judged to be necessary.

